

Series WGVU-1RG

OSY Roll Grooved Gate Valve - Rising Spindle

Size: DN65-200

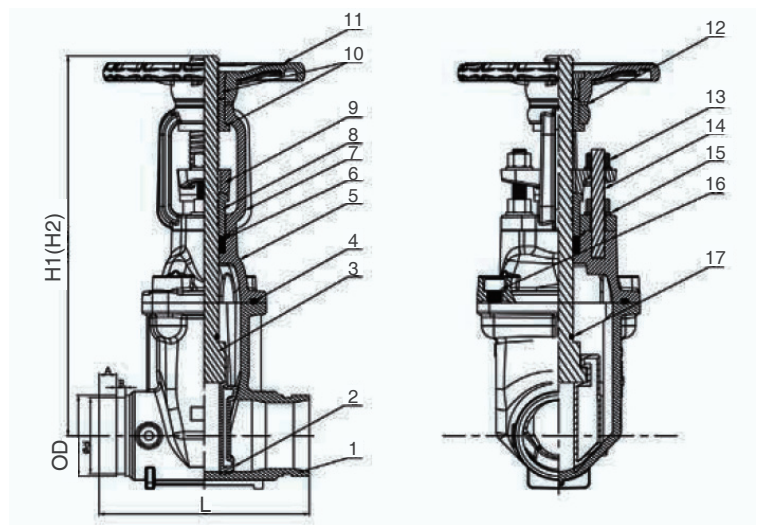
The OSY Roll Grooved Gate Valve is used in fire protection systems for on/off operation. Connection ends are Roll Grooved. UL listed and FM approved.

Pressure-Temperature

- Working Pressure: 300 PSI
- Temperature range: 0°C - 80°C
- Connections: Roll Grooved
- Coating: Fusion Bonded Epoxy Coating

Features

NO.	Component	Material
1	Valve Body	Cast Iron
2	Resilient Wedge Disk	Cast Iron
3	O-Ring	NBR
4	Stem	Stainless Steel
5	Nut	Carbon Steel Zinc plated
6	Bonnet	Cast Iron
7	Stem Bushing	Brass Hpb59-1
8	Gland	Cast Iron
9	Flat Washer	Carbon Steel Zinc plated
10	Stud	Carbon Steel Zinc plated
11	Nut	Carbon Steel Zinc plated
12	Yoke	Cast Iron
13	Stem Nut	Brass Hpb59-1
14	Washer	Brass Hpb59-1
15	Locknut	Carbon Steel Zinc plated
16	Handwheel	Cast Iron
17	Stem Packing	EPDM
18	Bonnet Gasket	EPDM



Installation Dimensions

Code	Dimensions							
	mm	L	H1(Close)	H2(open)	OD	d	A	B
GV65RSRG	65	190	343	408	76.1	72.26	15.88	7.92
GV80RSRG	80	203	370	450	88.9	84.94	15.88	7.92
GV100RSRG	100	229	442	542	114.3	110.08	15.88	9.52
GV150RSRG	150	267	608	758	165.1	160.9	15.88	9.52
GV200RSRG	200	292	720	920	219.1	214.4	19.05	11.13