

## Series WGVU-1

### OSY Flanged Gate Valve - Rising Spindle

#### Size: DN50-300

The OSY Flanged Gate Valve is used in fire protection systems for on/off operation. UL listed and FM approved. 100mm Gate valve also available in 4-hole Table D

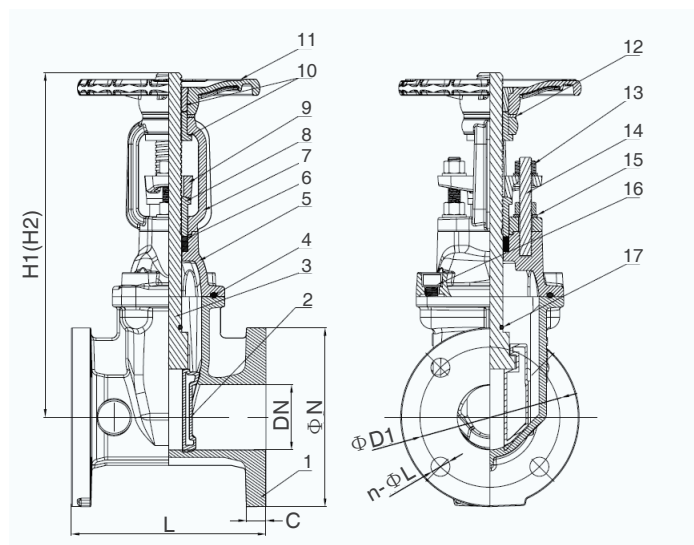


#### Pressure-Temperature

- Working Pressure: 300 PSI
- Temperature range: 0°C - 80°C
- Connections: Available in Table E
- Coating: Fusion Bonded Epoxy Coating

#### Features

NO.	Component	Materiala
1	Valve Body	Cast Iron
2	Resilient Wedge Disk	Cast Iron
3	Stem: Stainless Steel	Stainless Steel
4	Bonnet Gasket	EPDM
5	Bonnet	Cast Iron
6	Stem Packing	EPDM
7	Yoke	Cast Iron
8	Stem Bushing	Brass Hpb59-1
9	Gland	Cast Iron
10	Stem Nut	Brass Hpb59-1
11	Handwheel	Cast Iron
12	Washer	Brass Hpb59-1
13	Gland Nut	Carbon Steel Zinc Plated
14	Stud	Carbon Steel Zinc Plated
15	Flat Washer	Carbon Steel Zinc Plated
16	Nut	Carbon Steel Zinc Plated
17	O-Ring	EPDM



#### Installation Dimensions

Code	mm	L	Dimensions					
			H1(Close)	H2(open)	D	D1	C	n-ΦL
GV50RSE	50	178	348	400	152	120.7	16	4-Φ 19.1
GV65RSE	65	190	373	440	178	139.7	17.5	4-Φ 19.1
GV80RSE	80	203	408	490	191	152.4	19.1	4-Φ 19.1
GV100RSD	100	229	471	573	229	190.5	19.1	4-Φ 19.1
GV100RSE	100	229	471	573	229	190.5	19.1	8-Φ 19.1
GV150RSE	150	267	601	755	279	241.3	19.1	8-Φ 22.2
GV200RSE	200	292	774	975	343	298.5	22.2	8-Φ 22.2
GV250RSE	250	330	939	1193	46	362	23.8	12-Φ 25.4
GV300RSE	300	356	1065	1370	483	431.8	25.4	12-Φ 25.4