

Series W-YS01

Y Strainer

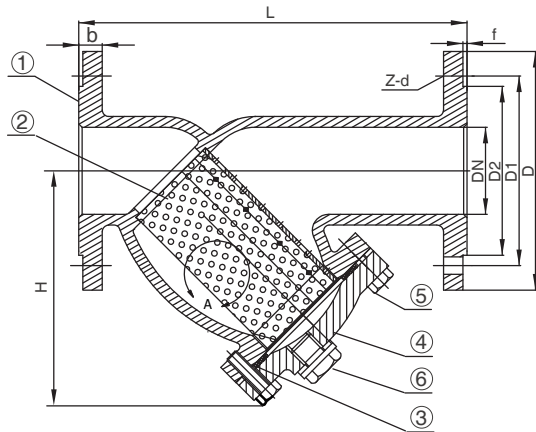
Pressure-Temperature

- Nominal Pressure: PN16(1600kPa)
- Temperature Range: -10°C-90°C

Material

NO.	Component	Material
1	Body	Ductile Iron
2	Screen	Stainless Steel
3	Gasket	EPDM
4	Cover	Ductile Iron
5	Bolt	Stainless Steel
6	Plug	Stainless Steel

Installation Dimensions



SIZE	DN	D	D1	D2	L	b	f	Z-d	ØK	G	H	WT/kg
2"	Ø50	Ø160	Ø114	Ø90	200	19	3	4-Ø18	2	3.7	83	6.3
2½"	Ø65	Ø180	Ø127	Ø103	218	20	3	4-Ø18	2	3.7	100	8.3
3"	Ø80	Ø195	Ø146	Ø122	248	20	3	4-Ø18	3	5.5	98	10
4"	Ø100	Ø215	Ø178	Ø154	295	22	3	8-Ø18	3	5.5	105	13
5"	Ø125	Ø245	Ø210	Ø186	315	22	3	8-Ø18	3	5.5	120	14
6"	Ø150	Ø280	Ø235	Ø207	348	24	3	8-Ø22	3	5.5	140	22.5
8"	Ø200	Ø335	Ø292	Ø264	410	24	3	8-Ø22	4	7	173	36.8
10"	Ø250	Ø405	Ø356	Ø315	515	28	3	12-Ø22	4	7	202	58
12"	Ø300	Ø458	Ø406	Ø374	595	28	3	12-Ø26	4	7	228	80

Installation Instructions

NOTE: Before installing the "Y" strainer, be sure its pressure rating is correct for the system by checking the maximum pressure rating listed on the valve's specification sheet against the maximum system pressure.

The strainer must be installed in the correct direction and orientation to function properly.

Locate the arrow on the strainer body; it must point in the direction of flow.

Refer to Mounting Positions.

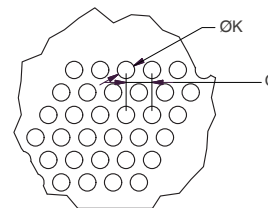


Specification

- Connection Dimension: AS2129 Table E (Flange Standard)
- Test Standard: BS EN 12266-2003、GB/T13927-2008
- Working Medium: Non corrosive water

Models

Model No.	Description
YS-050-FLG-TE	50MM Y-STRAINER DUCTILE IRON TABLE E
YS-065-FLG-TE	65MM Y-STRAINER DUCTILE IRON TABLE E
YS-080-FLG-TE	80MM Y-STRAINER DUCTILE IRON TABLE E
YS-100-FLG-TE	100MM Y-STRAINER DUCTILE IRON TABLE E
YS-125-FLG-TE	125MM Y-STRAINER DUCTILE IRON TABLE E
YS-150-FLG-TE	150MM Y-STRAINER DUCTILE IRON TABLE E
YS-200-FLG-TE	200MM Y-STRAINER DUCTILE IRON TABLE E
YS-250-FLG-TE	250MM Y-STRAINER DUCTILE IRON TABLE E
YS-300-FLG-TE	300MM Y-STRAINER DUCTILE IRON TABLE E



Mounting Positions



Vertical

Horizontal

The cover of the "Y" side should face down