

Series 757ISR

757ISR-EN-202312

Double Check Detector Assemblies

Size: DN100-DN150

Series 757ISR Double Check Detector Assemblies are used to prevent backflow of non-health hazard pollutants that are objectionable but not toxic, from entering the potable water supply system. Series 757ISR may be installed under continuous pressure service and may be subjected to backpressure and backsiphonage. Series 757ISR consists of two independently operating check valves, and three test cocks. Inquire with governing authorities for local installation requirements.

Features

- Extremely compact design
- 70% Lighter than traditional designs
- Stainless steel housing & sleeve
- Groove fittings allow integral pipeline adjustment
- Patented tri-link check provides lowest pressure loss
- Unmatched ease of serviceability
- Available for horizontal or vertical installations
- Replaceable check disc rubber

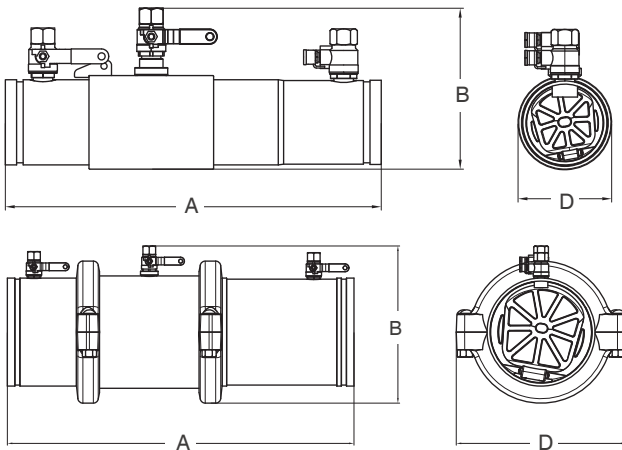
Pressure - Temperature

- Temperature Range: 0.5°C – 60°C
- Maximum Working Pressure: 1210kPa

Material

Component	Material
Housing & Sleeve	Stainless Steel
Elastomers	EPDM, Silicone and Buna-N
Tri-link Checks	Noryl®, Stainless Steel
Check Discs	Reversible Silicone or EPDM
Test Cocks	Bronze Body
Pins & Fasteners	Stainless Steel
Springs	Stainless Steel

Installation Dimensions



ISR 757 LG-DCDA

Size (DN)	Dimensions			WEIGHT Not including Bypass kgs.
	A	B	D	
mm	mm	mm	mm	
100	508	178	140	11.1
150	686	254	191	26.6



Specification

- End Connections: Grooved to AWWA C606
- Working Medium: Non corrosive liquids

Approval

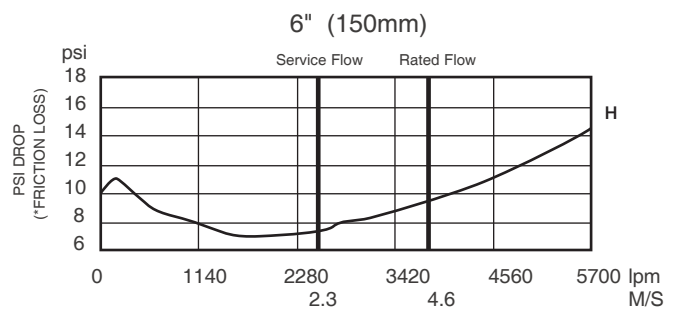
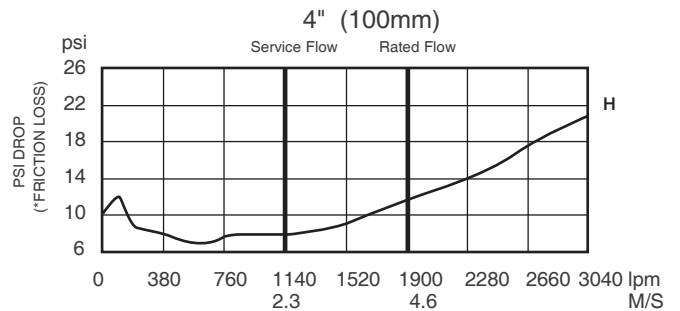


WMKA1527.4

Characteristic Curve

Flow capacity chart identifies valve performance based upon rated water velocity up to 7.6M/S

- Service Flow is typically determined by a rated velocity of 2.3M/S based upon schedule 40 pipe.
- Rated Flow identifies maximum continuous duty performance determined by AWWA.
- UL Flow Rate is 150% of Rated Flow and is not recommended for continuous duty.
- AWWA Manual M22 [Appendix C] recommends that the maximum water velocity in services be not more than 3M/S.



Watts reserves the right to change or modify product design, construction, specifications, or materials without prior notice and without incurring any obligation to make such changes and modifications on Watts products previously or subsequently sold.



Typical Installation

Model 757ISR Double Check Detector Assemblies should be installed with adequate clearance and easy accessibility for testing and maintenance and must be protected from freezing. Local codes shall govern installation requirements.

Fittings such as end connectors intended to join alternative pipe systems made from other materials (e.g. plastics) shall also conform to the relevant dimensional and performance requirements of the appropriate Australian, New Zealand, or joint Australian/New Zealand Standard for the alternative pipe system.

Test the assembly at initial installation, after servicing or maintenance to AS/NZS2845.3 and local regulatory authority requirements.