



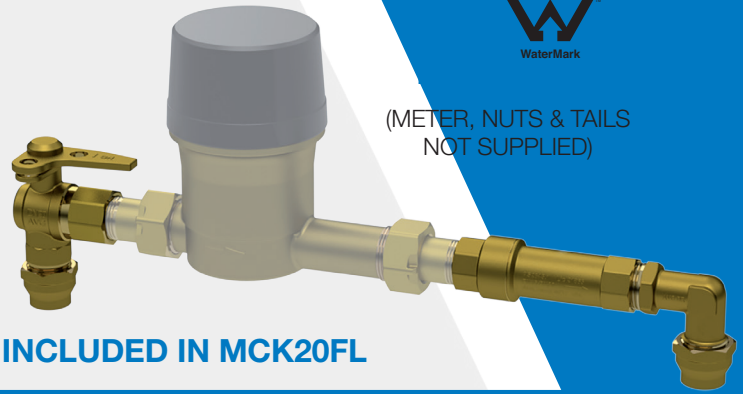
Meter Connection Kits, MCK20

MCK20

AVG Meter Connection Kits are used to safeguard against back pressure and Back Siphonage in low hazard applications.

The MCK20 Meter Connection Kits are suitable for horizontal or vertical installations in domestic low hazard applications.

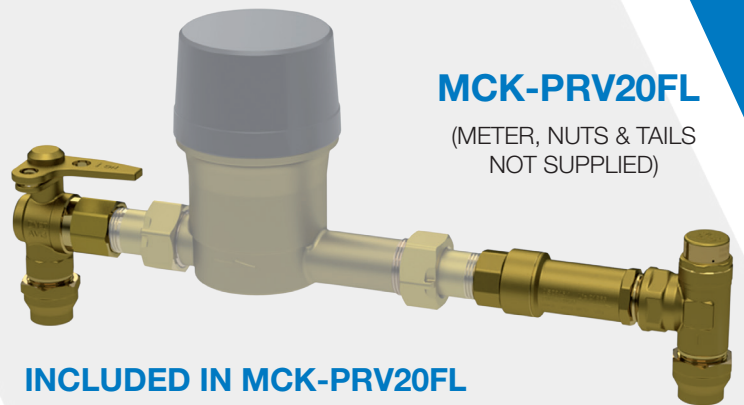
Each kit includes a lockable ball valve and inline dual check valve. The meter, nuts and tails are not supplied with the kit - a suitable water meter will need to be purchased separately.



(METER, NUTS & TAILS NOT SUPPLIED)

INCLUDED IN MCK20FL

QTY.	CODE	DESCRIPTION
1	BVE20-20FL	20mm FLxF right angle Ball Valve
1	2NV20-20F	20mm FxF Dual Check Valve
1	BFE20Mi20FL	20mm MixFL Compression Elbow

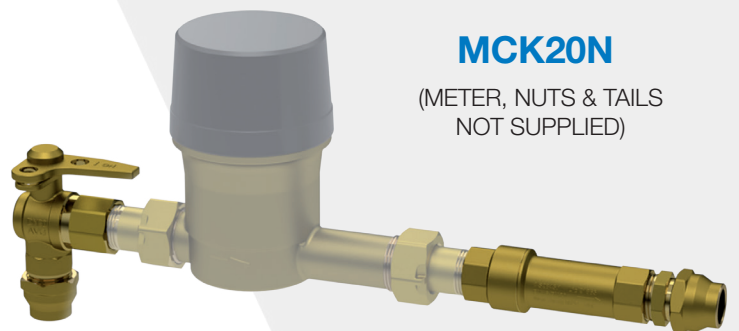


MCK-PRV20FL

(METER, NUTS & TAILS NOT SUPPLIED)

INCLUDED IN MCK-PRV20FL

QTY.	CODE	DESCRIPTION
1	BVE20-20FL	20mm FLxF right angle Ball Valve
1	2NV20-20FM	20mm FxM Dual Check Valve
1	PRVB20-500FL	20mm Boundary Pressure Reducing Valve set @ 500kPa



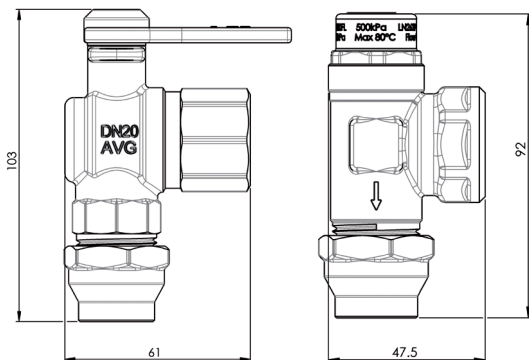
MCK20N

(METER, NUTS & TAILS NOT SUPPLIED)

INCLUDED IN MCK20N

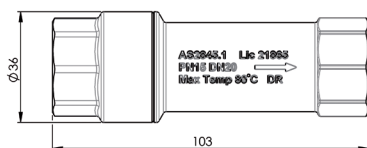
QTY.	CODE	DESCRIPTION
1	BVE20-20FL	20mm FLxF right angle Ball Valve
1	2NV20-20F	20mm FxF Dual Check Valve
1	BFU20Mi20FL	20mm MixFL Brass union

DIMENSIONS

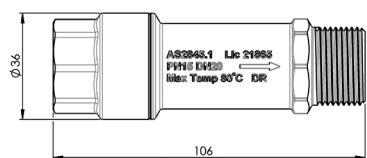


BVE20-20FL

PRVB20-500FL



2NV20-20F



2NV20-20FM



Australian Valve Group
A WATTS Brand

DISCLAIMER: Every care has been taken in the preparation of these instructions, which have been issued as a guide only. Compliance with the requirements of local Authorities is required at all times. These requirements may change from time to time. Always be aware of the local requirements. Subject to any statutory obligations and manufacturers warranties no liability can be accepted for any losses, consequential or otherwise which may arise or be said to have arisen from relying upon the contents of this installation instruction as to the fitness of any particular product for any particular purpose, use or application. The Australian Valve Group Pty Ltd reserves the right to modify designs and specifications and to withdraw and introduce products at any time without notice.

Unit 2, 9-11 Noble St, Kewdale, WA, 6105
Tel: 1800 AVG AUS (284 287) Fax: (08) 9353 2689
www.avg.net.au